

HelloYeti

Hardware Manual

CONTENT

1. SAFETY INFORMATION	3
2. PRODUCT PACKAGE CONTENT	6
2.1 PRODUCT OVERVIEW	6
2.2. MOUNTING SYSTEM	8
2.2 PRE-INSTALLATION STEPS	10
3. INSTALLATION AND QUICK START	11
3.1. NETWORK CONFIGURATION	11
3.2 RELAY CONFIGURATION	12
3.3 TOP OF THE WALL-MOUNTING	13
4. LICENSE AND REGULATION	16
5. CONTACTS	16
6. REFERENCES	16

1. SAFETY INFORMATION

Read this user manual

Read all safety and operating instructions in this user manual before operating the product.

Keep this user manual

Retain this user manual for future reference.

Head Warnings

Be cautious about warning signals on the product.

Follow Instructions

Please follow the instructions in this user manual.

Attachments

To avoid danger, please do not use attachments not recommended by the product manufacturer.

Mounting

Do not place the product on an unstable cart, stand, tripod, or table to avoid injury to children and adults. Please only use attachments indicated by the product manufacturer.

Temperature

Please use this product within operating temperatures 32°F ~ 100°F (0°C ~ 45°C), with relative humidity 20%-80%. The product should be situated away from any heat source, such as radiators, heat registers, stoves, or other products (including amplifiers) that produce heat.

Avoid overheating

Do not place heavy objects on the unit and in sealed areas to avoid heat ventilation problems.

Avoid Liquid Invasion

Avoid the invasion of any liquid. Do not place the product near areas where it may be exposed to liquid, such as a bathtub, sink, kitchen, wet basement, or swimming pool. Do not place the product on uneven surfaces, and keep it at a distance of at least 6 inches from the wall.

Product Protection

Please do not place any attachments or parts inside the product to avoid contact with voltage points that could result in an electrical shock or fire.

Heat Ventilation

There is no heating ventilation on the upper and lower part of the product, so to avoid overheating, please do not block any ventilation openings with objects (e.g., carpet). Please allow

the opening to have a 10cm distance for ventilation.

Grounding or Polarization

This product could be equipped with an alternate plug.

Power-Cord Protection

Power supply cords should be routed so that they are unlikely to be walked on or pinched by items placed upon them. Pay attention to the connection of plugs.

Power Sources

This product should be operated only from the type of power source indicated on the rear panel. If you are unsure of the type of power supply to your home, consult your product purchaser or local power company.

Lighting and storms

Unplug the product during lightning storms or extended periods of non-use to prevent damage from power-line surges.

Overloading

Do not overload wall outlets, extension cords, or integral convenience receptacles, as this can result in a risk of fire or electric shock.

Replacement parts

When replacement parts are required, be sure that the technician uses replacement parts specified by the manufacturer or parts with the same features. Unauthorized substitution may result in fire, electric shock, or other hazards.

Safety Check

After any service or repair to this product, make sure the technician performs safety checks to ensure it is in proper operating condition.

Warnings

If the battery in the remote control is inserted incorrectly, there is a risk of explosion.

Storage

To maintain the product's original condition and avoid any potential hazards, it is recommended to store it in a cool, dry, and dark area at room temperature.

Transportation

As this product contains fragile electronic components and glass, it can be easily damaged by excessive shock or drops. Therefore, please handle it with care during transportation to minimize the risk of damage.

Cleaning

Before cleaning the product, always unplug it from the wall outlet. Do not use liquid or aerosol cleaners as they can damage the product. Instead, use a damp cloth for cleaning.

Recycling

Please note that the product contains tin-lead solder and a fluorescent lamp with a small amount of mercury. To comply with environmental regulations in your community, you may need to dispose of these materials in a certain way. For information on proper disposal or recycling, please contact your local authorities or the Electronics Industries Alliance: <https://www.eaie.org/>

Damage Handling

Unplug this product from the outlet of the wall and request qualified service personnel under the following conditions when:

- The power supply cord or plug is damaged.
- The picture display gets dimmer.
- Liquid has been spilled, or objects have fallen on to the product.
- The product has been exposed to rain or water.
- The product exhibits a distinct change in performance-this indicates a need for repair service.

Only adjust controls as instructed in the manual. Improper adjustments can cause damage and may require extensive work by a qualified technician to restore the product to normal operation

2. PRODUCT PACKAGE CONTENT

- HelloYeti Android device
- Sun-cap
- Badge card
- Screws (14 pcs)
- Speaker cover
- Power supply (optional)

2.1 PRODUCT OVERVIEW

The device is designed as a rectangular box with a flat screen on the front panel.

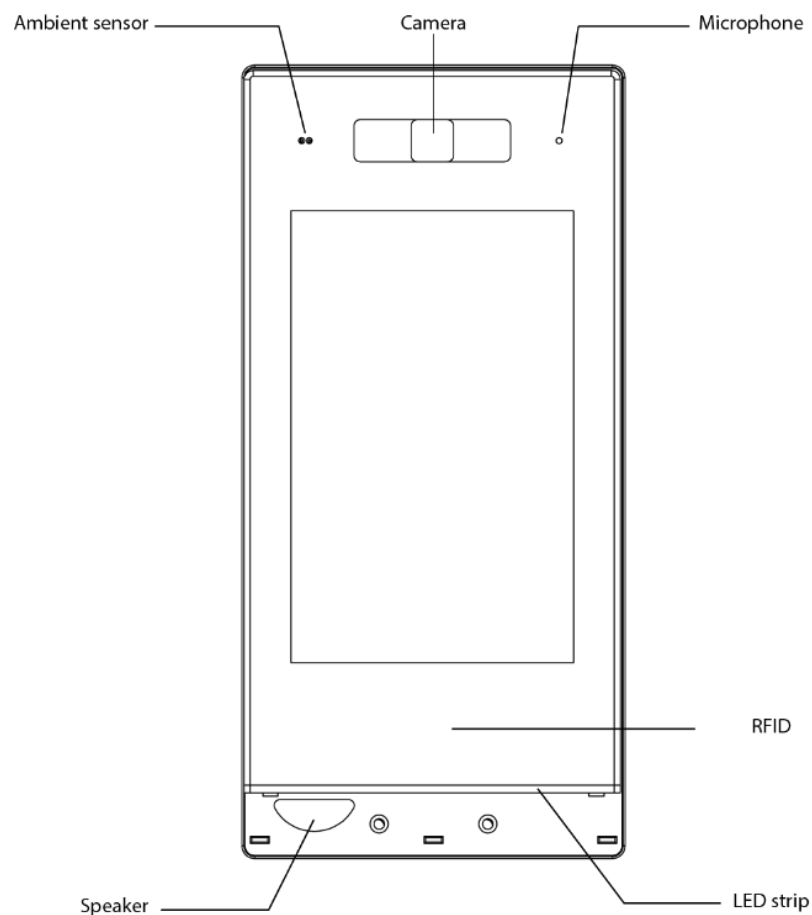


FIGURE 1 FRONT PANEL OF THE DEVICE

The *ambient sensor, camera, microphone, and speaker* arrangement are positioned around the screen.

The device is also equipped with an *RFID* reader, which allows authorized individuals to gain access to secured areas.

LED strip located on the bottom part of the front panel. This LED strip provides illumination during low-light conditions and also serves as a visual indicator of the device's status.

2.2. MOUNTING SYSTEM

- The outdoor access controller is designed to be wall-mounted, using the mounting system provided.

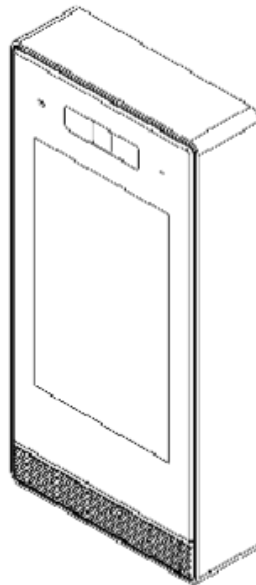


FIGURE 2 GENERAL VIEW OF THE DEVICE

- Properly connect the device, refer to the Rear Input/Output scheme provided below the instructions. This scheme shows the location of the connectors and physical ports on the back panel of the device and how they should be connected.

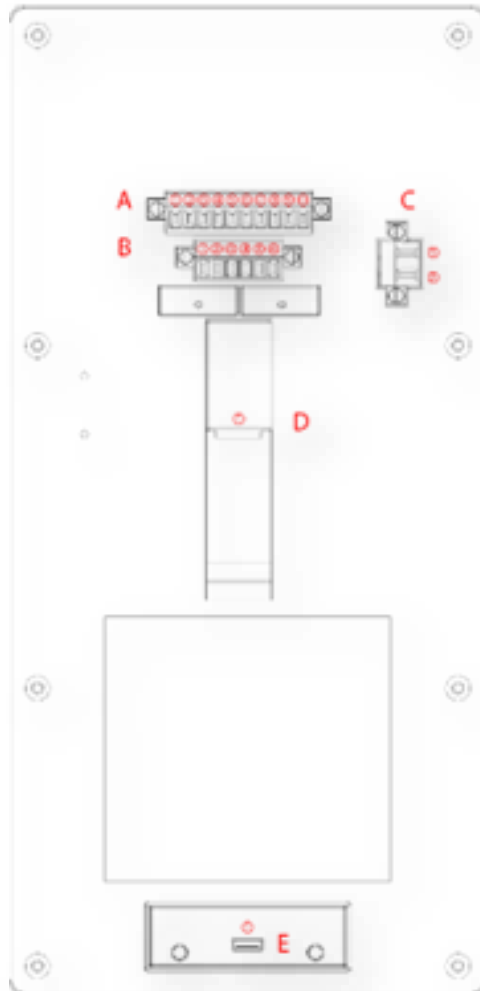


FIGURE 3 BACK PANEL OF THE DEVICE

NOTE. In your product package, external cable is already attached to the connector “C”.

A1	+12V	B1		OUT1
A2	GND	B2		COM1
A3	I/O(INPUT)	B3		NC
A4	I/O(INPUT)	B4		OUT2
A5	+5V	B5		COM2
A6	WIEGAND_D0	B6		NC
A7	WIEGAND_D1	C1		+12V
A8	GND	C2		GND
A9	RS485_A	D		Ethernet with POE
A10	RS485_B	E		MICRO_USB

FIGURE 4 DESCRIPTION OF PHYSICAL PORTS

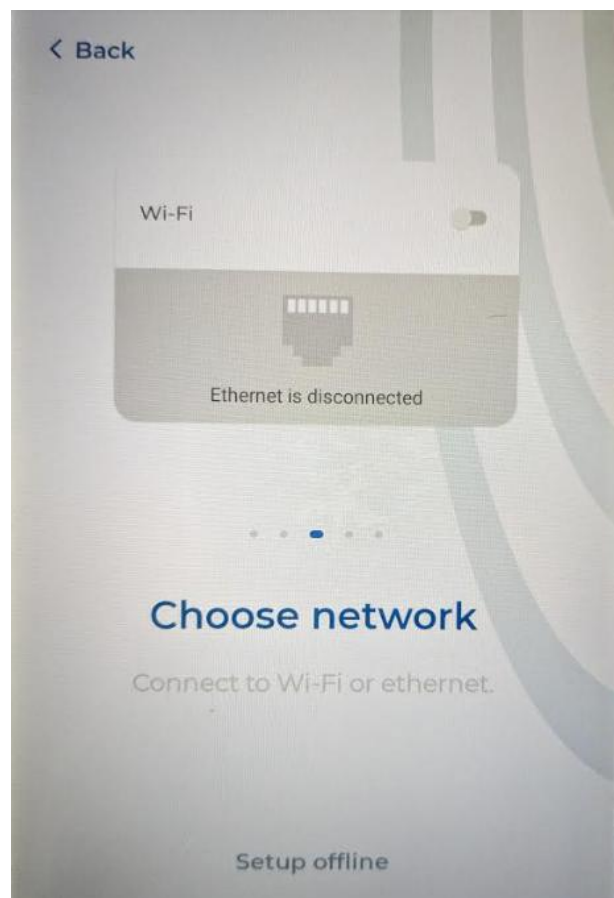
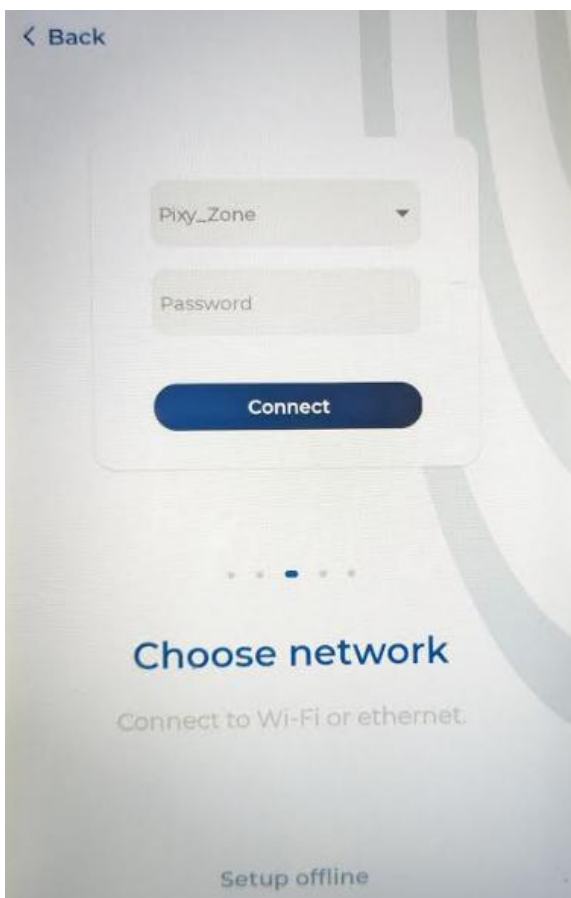
2.2 PRE-INSTALLATION STEPS

- Locate the serial number on the back of the device and make note of it. You may need this information for future reference.
- Prepare a POE cable or 12V input cable that is compatible with the device. Ensure that it is connected and ready to use before proceeding with installation.
- Connect the panel's relay to your building's door strike and access control system. Make sure the connections are secure and properly installed before proceeding.
- Note that the micro-USB connection for firmware upgrades is located on the back of the device. If you need to upgrade the firmware, you will need to unmount the device to access the port.

3. INSTALLATION AND QUICK START

3.1. NETWORK CONFIGURATION

1. Connect the PoE cable to the appropriate port on the device. Ensure that the cable is securely connected.
2. Install the device onto the wall or other appropriate surface. Optionally, place the device into the Gang box.
3. Connect to Wi-Fi:
 - When the device is turned on for the first time, it will display a prompt asking if you would like to connect it to a network.
 - In the Android settings, add the new Wi-Fi network. Select the network you wish to connect to from the list.



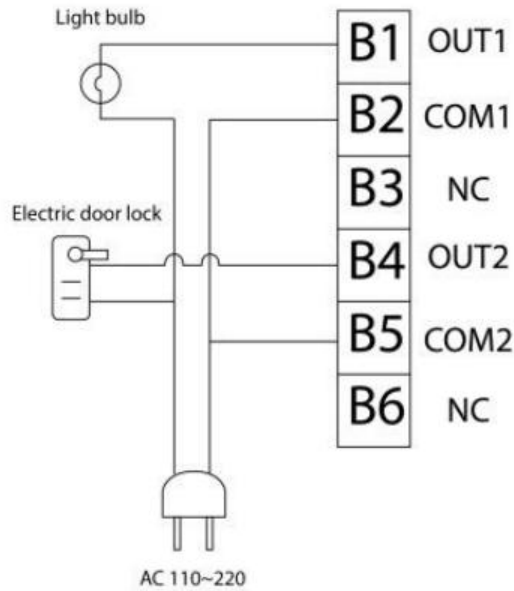
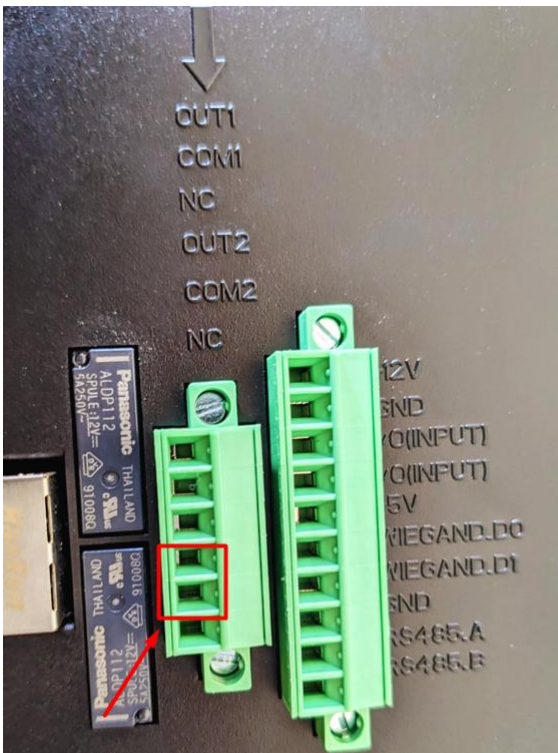
OK

Restart the device.

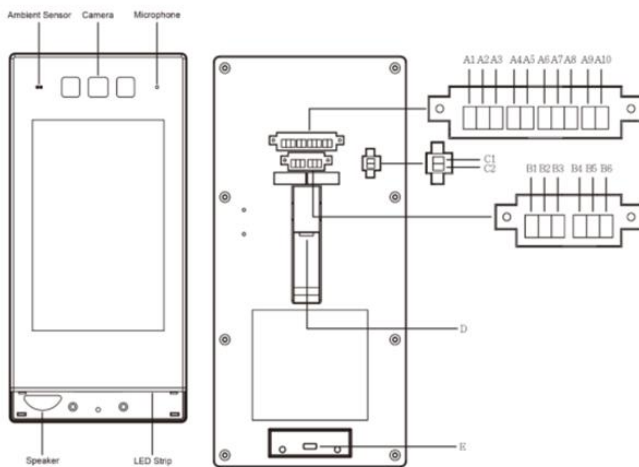
Note: After you have installed the Gang box (optional) and connected the wires and PoE cable, the device will power on. If the screen does not display anything, check the power connection to ensure it is connected properly.

3.2 RELAY CONFIGURATION

To connect the door opening mechanism you need to wire the electric door lock in port B4 & B5 (check in the below 2 picture)



VOD073 PART#CT568



Label	Port
A1	+12V
A2	GND
A3	I/O (INPUT)
A4	I/O (INPUT)
A5	+5V
A6	WIEGAND_D0
A7	WIEGAND_D1
A8	GND
A9	RS485_A
A10	RS485_B
C1	+12V
C2	GND
D	Ethernet with POE
E	Micro USB
B1	OUT1
B2	COM1
B3	NC
B4	OUT2
B5	COM2
B6	NC

To test relay and the Electric door lock connection please follow the below steps:

- If there is No power to Intercom device: no connection (Door switch open) between COM2 and OUT2.
- For connection use port B4 & B5 or B5 & B6. Two types of locks: NO (Normal open) or NC (Normal closed) – Need to wire differently.
- Provide Normal Power supply to Intercom (Device is ON): connection (Door switch closed) between COM2 and OUT2
- Intercom receives Open Door command** from HelloYeti Application: no connection (Door switch open) between COM2 and OUT2 for 4 seconds.

** Need a separate power source(battery) of 12V to hold the electric to keep the door close when the device is shut down from POE.

To configure **Open Door Command please refer to HelloYeti Administrator Manual.

3.3 TOP OF THE WALL-MOUNTING

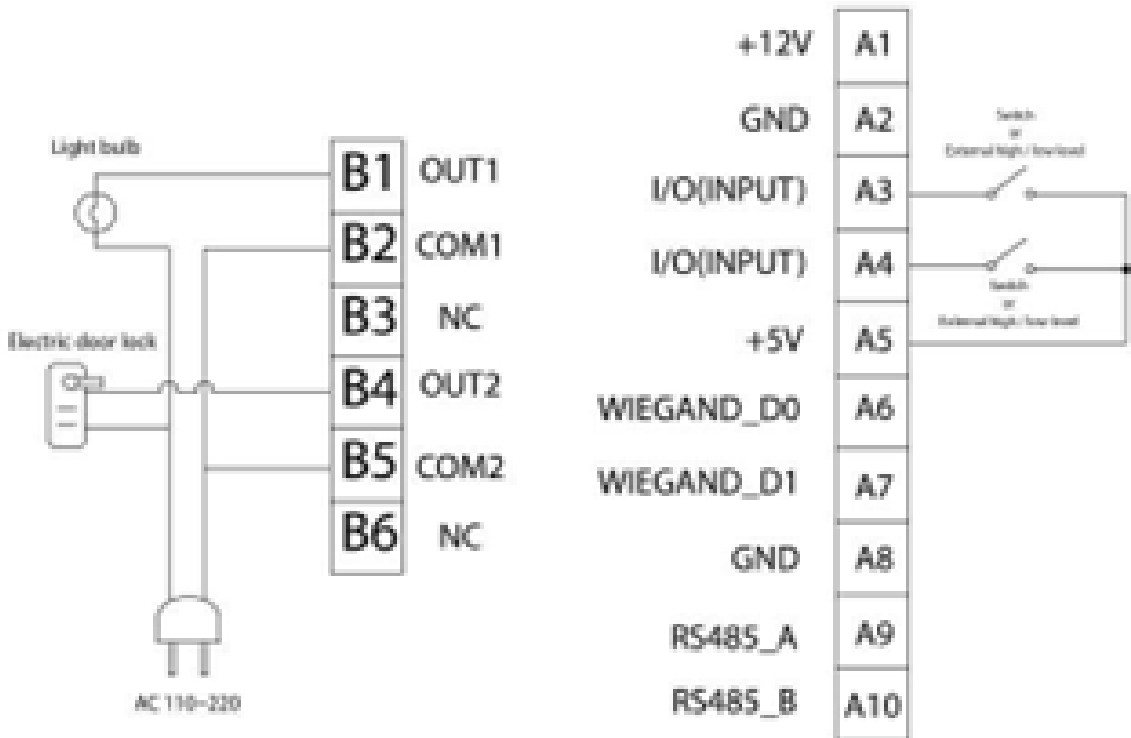
- Secure the device in the sun-cap. The device can be mounted securely to a wall or other flat surface using screws or other mounting hardware, which can be inserted through the holes located on the front panel of the device





- Then, set the device according to the reference:

Installation Reference



- Once the device is mounted, attach the speaker cover mesh to the speaker located at the bottom of the device.

4. LICENSE AND REGULATION

This equipment has been tested and found to comply with the limits for a Class B digital device, pursuant to part 15 of the FCC Rules. These limits are designed to provide reasonable protection against harmful interference in a residential installation. This equipment generates, uses and can radiate radio frequency energy and, if not installed and used in accordance with the instructions, may cause harmful interference to radio communications. However, there is no guarantee that the interference will not occur in a particular installation. If this equipment does cause harmful interference to radio or television reception, which can be determined by turning the equipment off and on, the user is encouraged to try to correct the interference by one or more of the following measures:

1. Reorient or relocate the receiving antenna.
2. Increase the separation between the equipment and receiver.
3. Connect the equipment into an outlet on a circuit different from that to which the receiver is connected.
4. Consult the dealer or an experienced radio/TV technician for help.

This device complies with part 15 of FCC rules. Operation is subject to two conditions:

1. This device may not cause harmful interference.
2. This device must accept any interference received, including interference that may cause undesired operation.

5. CONTACTS

Website: www.hellodoor.info

Email: support@hellodoor.info

6. REFERENCES

[HelloYeti Administrator Manual](#)